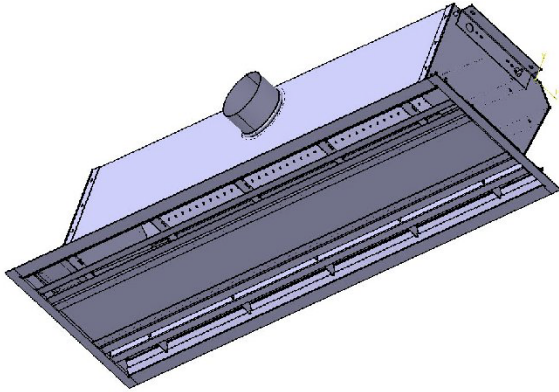


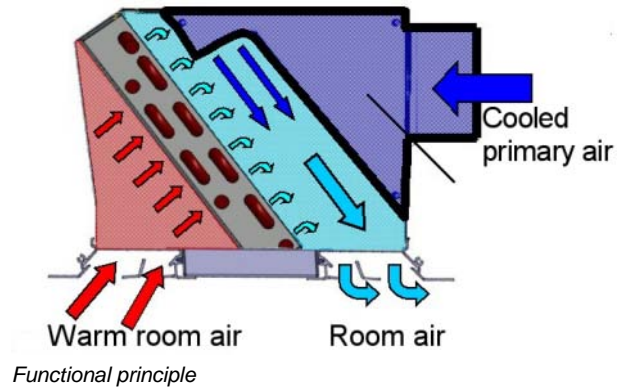


## Air Conditioning Systems Active Chilled Beam for Ceiling Installation Type HDC

### View of unit



### Special features

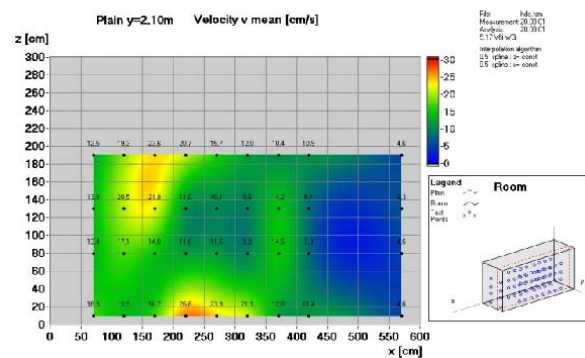


### Features

- **HDC to supplement the fan coil unit VDC** of the same look.
- Optimized for **cooling office rooms**.
- Designed for installation in **band grid ceilings of low height**, overlap or non-overlap.
- **Combined air inlet / air outlet grille** (as shown) not requiring any additional return air grilles or shadow joints.
- Color according to RAL.
- **Controlled room air flow** even in case of varying loads.
- **High cost-effectiveness** due to small water volumes.
- **High comfort** due to low air speeds and very low sound power levels with high cooling capacity.
- **Control water side by valves (accessory).**  
**Great variety of LTG accessories, among others control units, dampers, valves, flexible tubes etc.**



Room air flow visualization possible in the LTG lab (LTG Engineering Services)



Capture of measuring data (example) as part of the LTG Engineering Services